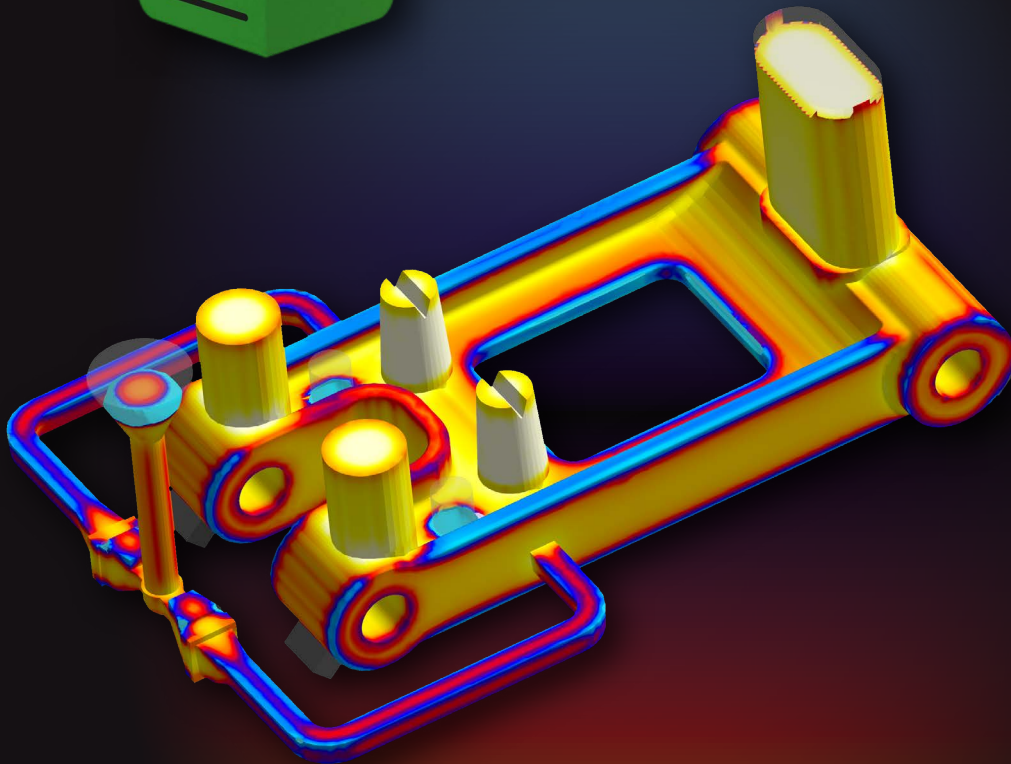


# Overengineered!?!

## MAGMA ECONOMICS

Technically Sound, Economically Smart.



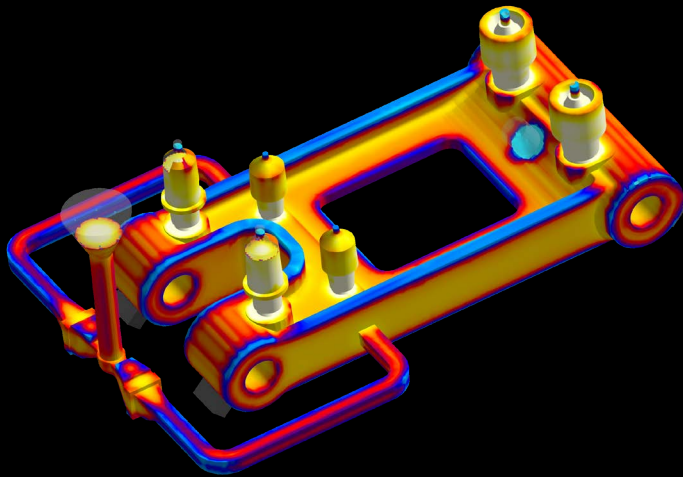
**12,600 €  
saved!**





# MAGMA ECONOMICS

Reduce **Cost** & **CO<sub>2</sub>**.  
Secure **Quality**.



## PROJECT PARAMETERS:

- **Product:** Connecting Element
- **Process:** sand casting, horizontal molding line
- **Metal:** cast steel, GS20Mn5
- **Casting weight:** 299 kg
- **Production volume:** 100 parts/year
- **Feeders:** insulating vs. exothermic
- **Return material:** 148 kg vs. 84 kg



**WITHOUT  
MAGMA ECONOMICS\***

**WITH  
MAGMA ECONOMICS\***

**QUALITY:**



OK

0.0 %

No change

OK

**COST:**



1038 €/part

**-12 % per part**

Δ 126 €/pt. saved

912 €/part

**CO<sub>2</sub>  
EMISSIONS:**



229 kg of CO<sub>2</sub>

**-9 %**

CO<sub>2</sub> reduced

209 kg of CO<sub>2</sub>

Total savings:  
**12,600 €**

\*MAGMA ECONOMICS is an integral part of MAGMASOFT®

**MAGMA ECONOMICS** identifies savings potentials throughout the entire process – from **design variants**, to **casting systems**, to **process parameters**.

Become more cost-efficient and sustainable – without quality risk.

The complete story:

